

STEREO ZOOM MICROSCOPES

Binocular type

SPZ-50 SERIES

Carton flagship model **SPZ-50** series features 6.7x to 50x magnifications with the highest zoom ratio 7.5:1 in this class, 108mm long working distance and 17mm high eye point. The magnification range can be extended down to 3.35x and up to 200x with optional lenses when necessary. The sharp, crisp and clear images are achieved even at the edge of wide field of view with superior optics and craftsmanship mechanisms. The **SPZ-50** offers excellent performance ideal for visual inspection, precision assembly and observation works in all applications.

SPZ-50PGM

Stand Type PGM
Large stage pole stand
with mid-positioned LED ring light



SPZ-50SBGM

Stand Type SBGM
Small stage pole stand
with mid-positioned LED ring light
and separate power controller



SPZ-50P

Stand Type P
Large stage pole stand
without light



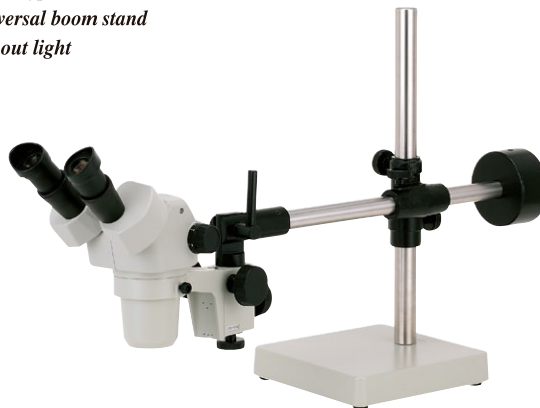
SPZ-50UNGM

Stand Type UNGM
Universal boom stand
with mid-positioned LED ring light
and separate power controller



SPZ-50UN

Stand Type UN
Universal boom stand
without light



Models	SPZ-50PGM	SPZ-50SBGM	SPZ-50P	SPZ-50UNGM	SPZ-50UN
Magnification	6.7x to 50x (field of view : 34.3mm to 4.6mm)				
Objective Lenses	0.67x to 5.0x (zoom ratio : 7.5:1)				
Eyepieces	Wide Field 10x (DHW10x), Field Number 23				
Optical Body	360 degrees rotatable binocular type, 45 degrees inclined eyepiece tubes				
Working Distance	108mm				
Interpupillary Distance	52mm to 75mm				
Diopter Adjustment	+/- 7.2D on both eyepiece tubes				
Stand (Height)	Pole type (356mm)	Pole type (326mm)	Pole type (326mm)	Universal boom type (544mm)	
Incident Illumination	Built-in LED ring light with intensity control		Nil	Built-in LED ring light with intensity control	Nil
Base Size	220mm x 284mm	144mm x 260mm	220mm x 284mm	230mm x 230mm	
Overall Height	369mm	369mm	369mm	544mm	544mm
Net Weight	5.5kg	5.0kg	4.9kg	23.4kg	20.8kg
Accessories	Rubber eyeguards, C-wrench, Dust cover				

Same as the **SPZ-50** series, but the **SPZT-50D/SPZV-50** series has a vertical C mount tube to accept a C mount CCD/CMOS camera and the click stop mechanism incorporated into zoom knobs to ensure re-positioning at each magnification during zooming. The **SPZV-50** is a “Multi-View” model with a beam splitter enabling simultaneous observation through eyepieces and on monitor screen.

STEREO ZOOM MICROSCOPES

Trinocular type

SPZT-50D/SPZV-50 SERIES

**SPZT-50D-PGM
SPZV-50PGM**

*Stand Type PGM
Large stage pole stand
with mid-positioned LED ring light*



**SPZT-50D-SBGM
SPZV-50SBGM**

*Stand Type SBGM
Small stage pole stand
with mid-position LED ring light
and separate power controller*




**SPZT-50D-P
SPZV-50P**

*Stand Type P
Large stage pole stand
without light*



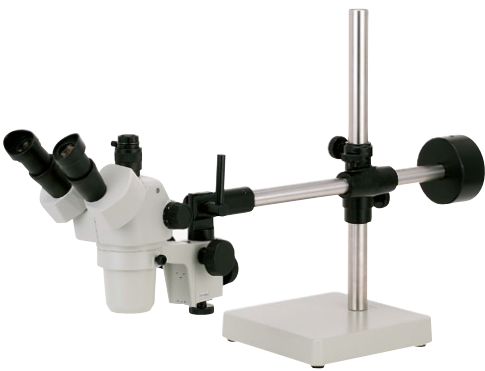
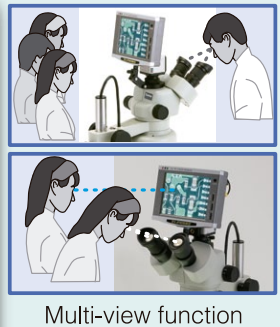
**SPZT-50D-UNGM
SPZV-50UNGM**

*Stand Type UNGM
Universal boom stand
with mid-positioned LED ring light
and separate power controller*



**SPZT-50D-UN
SPZV-50UN**

*Stand Type UN
Universal boom stand without light*

Models	SPZT-50D-PGM / SPZV-50PGM	SPZT-50D-SBGM / SPZV-50SBGM	SPZT-50D-P / SPZV-50P	SPZT-50D-UNGM / SPZV-50UNGM	SPZT-50D-UN / SPZV-50UN
Magnification	6.7x to 50x (field of view : 34.3mm to 4.6mm)				
Objective Lenses	0.67x to 5.0x (zoom ratio : 7.5:1)				
Eyepieces	Wide Field 10x (DHW10x), Field Number 23				
Optical Body	360 degrees rotatable trinocular type, 45 degrees inclined eyepiece tubes, vertical C mount tube, (SPZV : Multi-Viewing)				
Working Distance	108mm				
Interpupillary Distance	52mm to 75mm				
Diopter Adjustment	+/- 7.2D on both eyepiece tubes & 4mm on vertical tube				
Stand (Height)	Pole type (356mm)	Pole type (326mm)	Pole type (326mm)	Universal type (544mm)	
Incident Illumination	Built-in LED ring light with intensity control	Nil	Nil	Built-in LED ring light with intensity control	Nil
Base Size	220mm x 284mm	144mm x 260mm	220mm x 284mm	230mm x 230mm	
Overall Height	369mm	369mm	369mm	544mm	544mm
Net Weight	5.7kg	5.2kg	4.9kg	23.4kg	20.8kg
Accessories	Rubber eyeguards, C-wrench, Dust cover				

STEREO ZOOM MICROSCOPES

Binocular type

DSZ-44 SERIES

The **DSZ-44** series features 10x to 44x (zoom ratio 4.4:1) magnification with 90mm working distance necessary and sufficient for every application. The magnification can be extended up to 140.8x with optional lenses.

DSZ-44PG

Stand Type PG
Large stage pole stand
with LED ring light



DSZ-44SBG

Stand Type SBG
Small stage pole stand
with LED ring light
and separate power controller



DSZ-44P

Stand Type P
Large stage pole stand without light



DSZ-44UNG

Stand Type UNG
Universal boom stand
with LED ring light
and separate power controller



DSZ-44UN

Stand Type UN
Universal boom stand without light



Models	DSZ-44PG	DSZ-44SBG	DSZ-44P	DSZ-44UNG	DSZ-44UN
Magnification	10x to 44x (field of view : 23mm to 5.2mm)				
Objective Lenses	1.0x to 4.4x (zoom ratio : 4.4:1)				
Eyepieces	Wide Field 10x (DSW10x), Field Number 23				
Optical Body	360 degrees rotatable binocular type, 45 degrees inclined eyepiece tubes				
Working Distance	90mm				
Interpupillary Distance	52mm to 75mm				
Diopter Adjustment	+/- 7.2D on both eyepiece tubes				
Stand (Height)	Pole type (356mm)	Pole type (326mm)	Pole type (326mm)	Universal boom type (544mm)	
Incident Illumination	Built-in LED ring light with intensity control		Nil	Built-in LED ring light with intensity control	Nil
Base Size	220mm x 284mm	144mm x 260mm	220mm x 284mm	230mm x 230mm	
Overall Height	356mm	326mm	326mm	544mm	544mm
Net Weight	5.2kg	4.7kg	4.4kg	22.9kg	20.3kg
Accessories	Rubber eyeguards, C-wrench, Dust cover				

Same as the DSZ-44 series, but the **DSZT-44** has a vertical photo-tube for photomicrography and screen observation with cameras, while the **DSZV-44** has a vertical CS mount tube to accept a CS mount CCD/CMOS camera, and its "Multi-View" function for simultaneous observation through eyepieces and on monitor screen.

STEREO ZOOM MICROSCOPES

Trinocular type

DSZT-44/DSZV-44 SERIES

DSZT-44PG

*Stand Type PG
Large stage pole stand
with LED ring light*



DSZV-44SBG

*Stand Type SBG
Small stage pole stand
with LED ring light
and separate power controller*



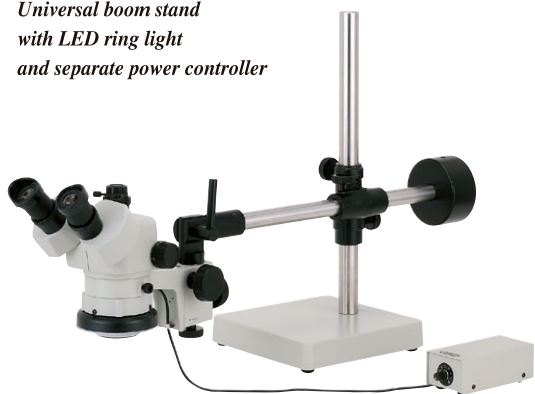
DSZT-44P

*Stand Type P
Large stage pole stand without light*



DSZV-44UNG

*Stand Type UNG
Universal boom stand
with LED ring light
and separate power controller*



DSZT-44UN

*Stand Type UN
Universal boom stand without light*



Multi-view function

PT-24U001

*C mount tube for
1/2 CCD/CMOS
(Option for DSZV-44 series)*



Models	DSZT-44PG / DSZV-44PG	DSZT-44SBG / DSZV-44SBG	DSZT-44P / DSZV-44P	DSZT-44UNG / DSZV-44UNG	DSZT-44UN / DSZV-44UN
Magnification	10x to 44x (field of view : 23mm to 5.2mm)				
Objective Lenses	1.0x to 4.4x (zoom ratio : 4.4:1)				
Eyepieces	Wide Field 10x (DSW10x), Field Number 23				
Optical Body	DSZT : 360 deg. rotatable trinocular type, 45 deg. inclined eyepiece tubes, vertical photo-tube DSZV : 360 deg. rotatable trinocular type, 45 deg. inclined eyepiece tubes, vertical CS mount tube for 1/3 CCD/CMOS, Multi-Viewing				
Working Distance	90mm				
Interpupillary Distance	52mm to 75mm				
Diopter Adjustment	DSZT : +/- 7.2D on both eyepiece tubes & 12mm on vertical tube / DSZV : +/- 7.2D on both eyepiece tubes & 4.7mm on vertical tube				
Stand (Height)	Pole type (356mm)	Pole type (326mm)	Pole type (326mm)	Universal type (544mm)	
Incident Illumination	Built-in LED ring light with intensity control		Nil	Built-in LED ring light with intensity control	Nil
Base Size	220mm x 284mm	144mm x 260mm	220mm x 284mm	230mm x 230mm	
Overall Height	356mm	DSZT:352mm / DSZV:326mm	DSZT:352mm / DSZV:326mm	544mm	544mm
Net Weight	DSZT:5.3kg / DSZV:5.4kg	DSZT:4.8kg / DSZV:4.9kg	DSZT:4.5kg / DSZV:4.6kg	DSZT:23.0kg / DSZV:23.1kg	DSZT:20.4kg / DSZV:20.5kg
Accessories	Rubber eyeguards, C-wrench, Dust cover, (Photo-eyepiece with ring for DSZT-44)				

STEREO ZOOM MICROSCOPES

Binocular type

DSZ-70 SERIES

The **DSZ-70** series is the high zoom magnification model featuring 20x - 70x (zoom ratio 3.5:1) and the working distance of 80mm, designed for observations, inspections and works especially of fine parts.

DSZ-70PGM

Stand Type PGM
Large stage pole stand
with mid-positioned LED ring light



DSZ-70SBGM

Stand Type SBGM
Small stage pole stand
with mid-positioned LED ring light
and separate power controller



DSZ-70P

Stand Type P
Large stage pole stand without light



DSZ-70UNGM

Stand Type UNGM
Universal boom stand
with mid-positioned LED ring light
and separate power controller



DSZ-70UN

Stand Type UN
Universal boom stand without light



Models	DSZ-70PGM	DSZ-70SBGM	DSZ-70P	DSZ-70UNGM	DSZ-70UN
Magnification	20x to 70x (field of view : 10mm to 2.8mm)				
Objective Lenses	2.0x to 7.0x (zoom ratio : 3.5:1)				
Eyepieces	Wide Field 10x (DSW10xZ), Field Number 20				
Optical Body	360 degrees rotatable binocular type, 45 degrees inclined eyepiece tubes				
Working Distance	80mm				
Interpupillary Distance	52mm to 75mm				
Diopter Adjustment	+/- 7.2D on both eyepiece tubes				
Stand (Height)	Pole type (356mm)	Pole type (326mm)	Pole type (326mm)	Universal boom type (544mm)	
Incident Illumination	Built-in LED ring light with intensity control		Nil	Built-in LED ring light with intensity control	Nil
Base Size	220mm x 284mm	144mm x 260mm	220mm x 284mm	230mm x 230mm	
Overall Height	356mm	326mm	326mm	544mm	544mm
Net Weight	5.3kg	4.8kg	4.5kg	23kg	20.4kg
Accessories	Rubber eyeguards, C-wrench, Dust cover				

Same as the DSZ-70 series, but the **DSZT-70** series is the trinocular type with vertical photo-tube for photomicrography or TV micrography.

**STEREO ZOOM
MICROSCOPES**
Trinocular type
DSZT-70 SERIES

DSZT-70PGM

*Stand Type PGM
Large stage pole stand
with mid-positioned LED ring light*



DSZT-70SBGM

*Stand Type SBGM
Small stage pole stand
with mid-positioned LED ring light
and separate power controller*




DSZT-70P

*Stand Type P
Large stage pole stand without light*



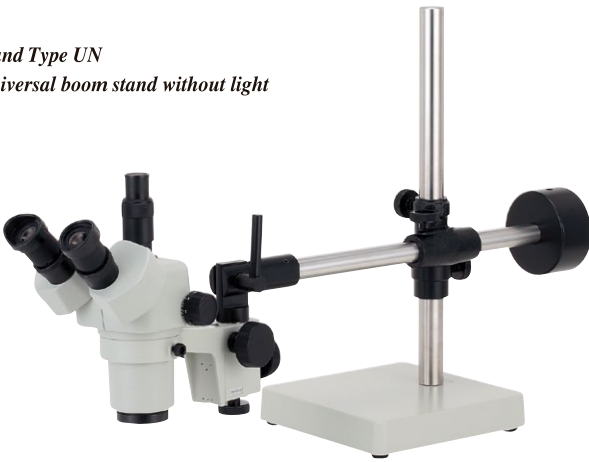
DSZT-70UNGM

*Stand Type UNGM
Universal boom stand
with mid-positioned LED ring light
and separate power controller*



DSZT-70UN

*Stand Type UN
Universal boom stand without light*



Models	DSZT-70PGM	DSZT-70SBGM	DSZT-70P	DSZT-70UNGM	DSZT-70UN
Magnification	20x to 70x (field of view : 10mm to 2.8mm)				
Objective Lenses	2.0x to 7.0x (zoom ratio : 3.5:1)				
Eyepieces	Wide Field 10x (DSW10xZ), Field Number 20				
Optical Body	360 degrees rotatable trinocular type, 45 degrees inclined eyepiece tubes, vertical photo tube				
Working Distance	80mm				
Interpupillary Distance	52mm to 75mm				
Diopter Adjustment	+/- 7.2D on both eyepiece tubes & 12mm on vertical tube				
Stand (Height)	Pole type (356mm)	Pole type (326mm)	Pole type (326mm)	Universal boom type (544mm)	
Incident Illumination	Built-in LED ring light with intensity control		Nil	Built-in LED ring light with intensity control	Nil
Base Size	220mm x 284mm	144mm x 260mm	220mm x 284mm	230mm x 230mm	
Overall Height	365mm	365mm	365mm	544mm	544mm
Net Weight	5.4kg	4.9kg	4.6kg	23.1kg	20.5kg
Accessories	Rubber eyeguards, C-wrench, Dust cover, Photo-eyepiece with ring				

STEREO ZOOM MICROSCOPES

Binocular type / Trinocular type

SPZH-135/SPZHT-135 SERIES

The **SPZH-135** series is a unique model featuring the extremely high magnification of 21x to 135x (zoom ratio 6.4:1) with standard DHW15X eyepieces and the coaxial coarse and fine focus adjustment which makes it easy to focus at high magnifications. The **SPZHT-135** is the trinocular type with a vertical C mount tube to accept a CCD/CMOS camera and the click stop mechanism incorporated in zoom knobs to ensure re-positioning at each magnification during zooming.

SPZH-135PGLC

*Stand Type PGLC
Large stage pole stand,
coarse and fine focusing,
with low-positioned LED ring light*



SPZH-135SBGLC

*Stand Type SBGLC
Small stage pole stand,
coarse and fine focusing,
with low-positioned LED ring light
and separate power controller*



SPZH-135PC

*Stand Type PC
Large stage pole stand, coarse
and fine focusing, without light*



SPZHT-135PGLC

*Stand Type PGLC
Large stage pole stand,
coarse and fine focusing,
with low-positioned LED ring light*



SPZHT-135SBGLC

*Stand Type SBGLC
Small stage pole stand,
coarse and fine focusing,
with low-positioned LED ring light
and separate power controller*



SPZHT-135PC

*Stand Type PC
Large stage pole stand, coarse
and fine focusing, without light*



Models	SPZH-135PGLC	SPZH-135SBGLC	SPZH-135PC	SPZHT-135PGLC	SPZHT-135SBGLC	SPZHT-135PC
Magnification	21x to 135x (field of view: 10.7mm to 1.6mm)					
Objective Lenses	1.4x to 9x (zoom ratio 6.4 : 1)					
Eyepieces	Wide Field 15x (DHW15X), Field Number 15					
Optical Body	360 deg. rotatable binocular type, 45 deg. inclined eyepiece tubes			360 deg. rotatable trinocular type, 45 deg. inclined eyepiece tubes, vertical C mount tube		
Working Distance	84mm					
Interpupillary Distance	50mm to 74mm					
Diopter Adjustment	+/- 7.2D on both eyepiece tubes			+/- 7.2D on both eyepiece tubes & 4mm on vertical tube		
Stand (Height)	Pole type (356mm)	Pole type (326mm)		Pole type (356mm)	Pole type (326mm)	
Incident Illumination	Built-in LED ring light with intensity control		Nil	Built-in LED ring light with intensity control		Nil
Base Size	220mm x 284mm	144mm x 260mm		220mm x 284mm		144mm x 260mm
Overall Height	364mm	364mm	364mm	364mm	364mm	364mm
Net Weight	5.6kg	5.1kg	4.8kg	5.8kg	5.3kg	5.0kg
Accessories	Rubber eyeguards, C-wrench, Dust cover					

The **NSW** series is the economical model having a dual magnification of 10x & 20x, 10x & 30x, 20x & 40x or 6x & 20x, or a single magnification of 10x or 20x. The NSW-620PG and NSW-620P (6x & 20x) offer the extremely wide field of view 38.3mm at 6x to aim at an object more easily in the field of view while more details can be observed at 20x.

**STEREO
MICROSCOPES**
Binocular type
NSW SERIES

NSW-30PG

*Stand Type PG
Large stage pole stand
with LED ring light*



NSW-40PGM

*Stand Type PGM
Large stage pole stand
with mid-positioned LED ring light*



NSW-20P

*Stand Type P
Large stage pole stand
without light*



Models	NSW-1PG	NSW-2PG	NSW-20PG	NSW-30PG	NSW-40PGM	NSW-620PG
Magnification (field of view)	10x (23mm)	20x (11.5mm)	10x (23mm) & 20x (11.5mm)	10x (23mm) & 30x (7.6mm)	20x (11.5mm) & 40x (5.7mm)	6x (38.3mm) & 20x (11.5mm)
Objective Lenses	1x	2x	1x & 2x	1x & 3x	2x & 4x	0.6x & 2x
Eyepieces	Wide Field 10x (DSW10X), Field Number 23					
Optical Body	360 degrees rotatable binocular type, 45 degrees inclined eyepiece tubes					
Working Distance	102mm	102mm	82.5mm	82.5mm	64.3mm	82.5mm
Interpupillary Distance	52mm to 75mm					
Diopter Adjustment	+/- 7.2D on left eyepiece tube					
Stand (Height)	Pole type (356mm)					
Incident Illumination	Built-in LED ring light with intensity control					
Base Size	220mm x 234mm					
Overall Height	356mm					
Net Weight	4.8kg			4.9kg		
Accessories	Rubber eyeguards, C-wrench, Dust cover					

Models	NSW-1P	NSW-2P	NSW-20P	NSW-30P	NSW-40P	NSW-620P
Magnification (field of view)	10x (23mm)	20x (11.5mm)	10x (23mm) & 20x (11.5mm)	10x (23mm) & 30x (7.6mm)	20x (11.5mm) & 40x (5.7mm)	6x (38.3mm) & 20x (11.5mm)
Objective Lenses	1x	2x	1x & 2x	1x & 3x	2x & 4x	0.6x & 2x
Eyepieces	Wide Field 10x (DSW10X), Field Number 23					
Optical Body	360 degrees rotatable binocular type, 45 degrees inclined eyepiece tubes					
Working Distance	113mm	113mm	113mm	82.5mm	64.3mm	113mm
Interpupillary Distance	52mm to 75mm					
Diopter Adjustment	+/- 7.2D on left eyepiece tube					
Stand (Height)	Pole type (356mm)					
Incident Illumination	Nil					
Base Size	220mm x 234mm					
Overall Height	356mm					
Net Weight	4.0kg			4.1kg		
Accessories	Rubber eyeguards, C-wrench, Dust cover					

OPTIONAL ACCESSORIES

Eyepieces



DHW10X
10x, F.N. 23
(for SPZ-50 / SPZT-50D / SPZV-50)

DSW10X
10x, F.N. 23

(for DSZ-44 / DSZT-44 / DSZV-44 / NSW)



DHW15X
15x, F.N. 15
(for SPZ-50)

DSW15X
15x, F.N. 15

(for DSZ / NSW)



DHW20X
20x, F.N. 11.4
(for SPZ)

DSW20X
20x, F.N. 11.4

(for DSZ / NSW)

Focusing Eyepieces 10x with Reticle



DFHW10X
F.N.23
(for SPZ)



DFSW10X
F.N.23
(for DSZ/NSW)

DFHW10X10/100 · DFSW10X10/100
with 10:100mm scale

DFHW10X5/100 · DFSW10X5/100
with 5:100mm scale

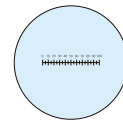
DFHW10XH10/20 · DFSW10XH10/20
with 20x20 0.5mm squares

DFHW10XH10/10 · DFSW10XH10/10
with 10x10 1mm squares

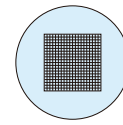
DFHW10XH5/5 · DFSW10XH5/5
with 5x5 1mm squares

DFHW10XCROSS · DFSW10XCROSS
with 10:100mm scale and cross line

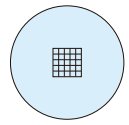
DFHW10XLINE · DFSW10XLINE
with cross line



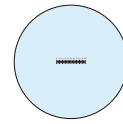
10:100mm scale



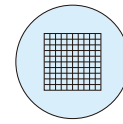
20x20 0.5mm squares



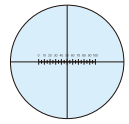
5x5 1mm squares



5:100mm scale



10x10 1mm squares



10:100mm scale with cross line

Auxiliary Objective Lenses & Objective Lens Covers

0.45x/0.5x/0.75x/0.7x lenses reduce magnifications and extend working distances while 1.6x/2x lenses increase magnifications and shorten working distances.



NSAL0.45X
0.45x

(not available with SPZ-50/SPZT-50D/SPZV-50 with pole type stand)

NSAL0.5X
0.5x



NSAL1.6X
1.6x

NSAL2X
2x

(available with SPZ-50/SPZT-50D/SPZV-50 only)

NSAL0.75X
0.75x

NSAL0.7X
0.7x

NSCG49

Objective lens cover

NSCG49/D

Objective lens cover with screw threads on both sides



Optical Data for SPZ-50 / SPZT-50D / SPZV-50

Eyepiece	DHW10X (F.N.23)					DHW15X (F.N.15)					DHW20X (F.N.11.4)				
	Nil	0.5x	0.75x	1.6x	2x	Nil	0.5x	0.75x	1.6x	W/2x	Nil	0.5x	0.75x	1.6x	2x
Magnifications	6.7x-50x	3.35x-25x	5x-37.5x	10.72x-80x	13.4x-100x	10.05x-75x	5.02x-37.5x	7.53x-56.25x	16.08x-120x	20.1x-150x	13.4x-100x	6.7x-50x	10.05x-75x	21.44x-160x	26.8x-200x
Working Distance	108mm	225mm	132mm	50mm	41mm	108mm	225mm	132mm	50mm	41mm	108mm	225mm	132mm	50mm	41mm
Field of view	34.3-4.6mm	68.9-9.2mm	45.7-6.1mm	21.4-2.8mm	17.1-2.3mm	22.3-3mm	44.7-6mm	29.8-4mm	13.9-1.8mm	11.1-1.5mm	17-2.2mm	34-4.5mm	22.6-3mm	10.6-1.4mm	8.5-1.1mm

Optical Data for DSZ-44 / DSZT-44 / DSZV-44

Eyepiece	DSW10X (F.N.23)				DSW15X (F.N.15)				DSW20X (F.N.11.4)			
	Nil	W/0.5x	W/0.75x	W/1.6x	Nil	W/0.5x	W/0.75x	W/1.6x	Nil	W/0.5x	W/0.75x	W/1.6x
Magnifications	10x-44x	5x-22x	7.5x-33x	16x-70.4x	15x-66x	7.5x-33x	11.25x-49.5x	24x-105.6x	20x-88x	10x-44x	15x-66x	32x-140.8x
Working Distance	90mm	150mm	105mm	45mm	90mm	150mm	105mm	45mm	90mm	150mm	105mm	45mm
Field of view	23-5.2mm	46-10.4mm	30.6-6.9mm	14.3-3.2mm	15-3.4mm	30-6.8mm	20-49.5mm	9.3-2.1mm	11.4-2.5mm	22.8-5.1mm	15.2-3.45mm	7.1-1.6mm

OPTIONAL ACCESSORIES

Digital Camera Adapters



Z1018
Adapter for
compact cameras



DG
Adapter for
SLR cameras
(requires camera-
specific T-mount
adapter)

DG

T-Mount Adapters

T-NIKON
T-PENTAX/K
T-SONY
T-CANON/EOS



USB/Digital Cameras

The **VD-PC5** and the **HDCE-X5** cameras with Image processing and measurement software which can easily convert a conventional microscope into "Digital Microscope" capable of processing, measuring and saving images.



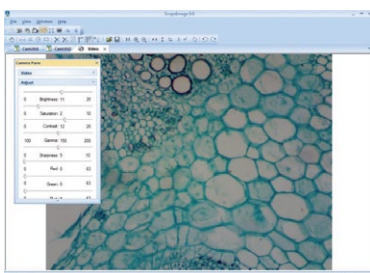
VD-PC5 Package



Model	VD-PC5 (code: UCMOS05100KPA)
Image Sensor	1/2.5" CMOS
Resolution / Max Frame Rate	2592x1944 5 fps
	1280x960 18 fps
	640x480 60 fps
Exposure	Auto/Manual
White Balance	Auto/Manual
Mount Type	C mount, 23.2mm dia. relay lens & 30mm dia. and 30.5mm dia. eyepiece sleeve adapters
Interface	USB2.0
Application	"TopView" Video/Image Processing & Measurement Software
Measurement Tools	Angle, Point, Line, Parallel, Two Parallels, Vertical, Rectangle, RoundRect, Ellipse, Circle, Annulus, Two Circles, Arc, Polygon
OS	Windows XP / Vista / 7 / 8 (32 & 64 bit), Mac OS X, Linux



HDCE-X5



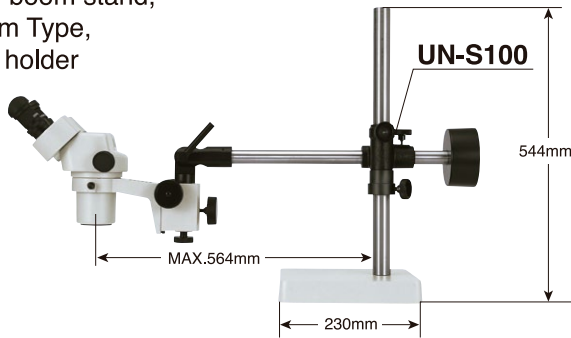
Model	HDCE-X5
Image Sensor	1/2.5" CMOS
Resolution / Max Frame Rate	2592~1944 2.5 fps
	1024~768 10 fps
Exposure	Auto/Manual
White Balance	Auto/Manual
Mount Type	C mount with 23.2mm dia. relay lens & 30mm dia. eyepiece sleeve adapter
Interface	USB2.0
Application	"ScopImage9.0" Image Process & Measurement Software
Measurement Tools	Line, Angle, Circle, Rectangle, Polygon
OS	Windows 2000/XP/Vista/Win 7 32bit or 64bit

OPTIONAL ACCESSORIES

Boom Stands

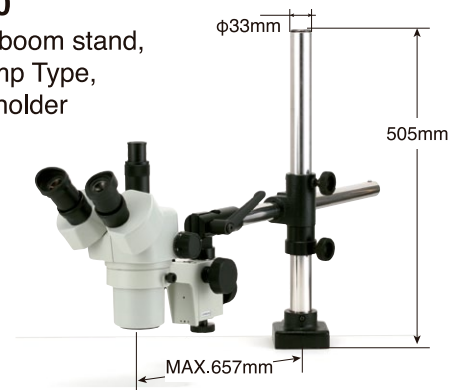
UN-S100

Universal boom stand,
Single Arm Type,
w/o body holder



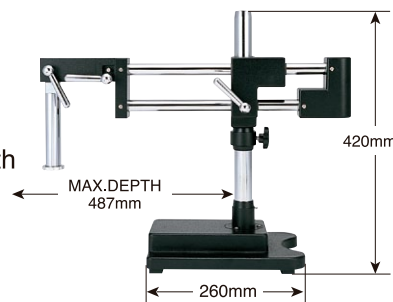
UN-S200

Universal boom stand,
Desk Clamp Type,
w/o body holder



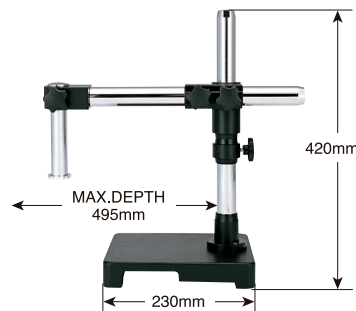
DBS-2

Universal boom stand,
Double Arm Type,
with ball bearings for smooth
horizontal movement,
w/o body holder



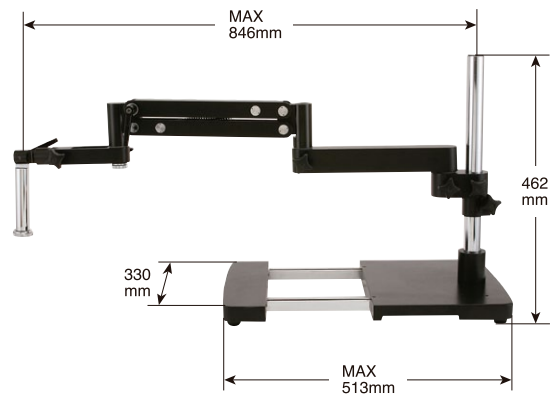
SBS-1

Universal boom stand,
Single Arm Type,
w/o body holder



V-7C

Universal boom stand,
Articulated Arm Type,
w/o body holder



V-7DC

Same as V-7C, but
with desk clamp
Instead of base

Body Holders (Focus Mounts)

SCW-PA

Body holder
with coarse focus adjustment



SCW-PG-S

Body holder with LED ring light
with coarse focus adjustment



SCW-CA

Body holder
with coarse and fine focus
adjustment



SCW-PGC-S

Body holder with LED ring light
with coarse and fine focus
adjustment



OPTIONAL ACCESSORIES

Illuminators

LED-60T

LED ring illuminator
 * 60 LEDs
 * 7-step intensity control
 * 4 lighting modes (1/4, 2/4, 3/4 & full)



LED-SL

LED spot illuminator with double light guides
 * Intensity control



MIC-56

LED ring illuminator
 * 54 LEDs
 * Separate intensity controller



RFL10-2T

Fluorescent ring illuminator
 * Intensity control



LED-TI

LED base illuminator for transmitted illumination
 * Separate intensity controller

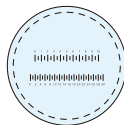


SHOP MICROSCOPES



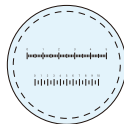
M1752

40x,
 scale 3.0mm/0.1"



M1754

100x,
 scale 1.0mm/0.05"



Model	M1752	M1754
Magnification (field of view)	40x (4.5mm)	100x (1.8mm)
Objective	4x	10x
Eyeiece	10x with scale	
Measuring Range	3.0mm/0.1"	1.0mm/0.05"
Minimum Graduation	0.02mm/0.001"	0.01mm/0.001"
Working Distance	15mm	5.5mm
Net Weight	580g	
Accessory	Penlight	