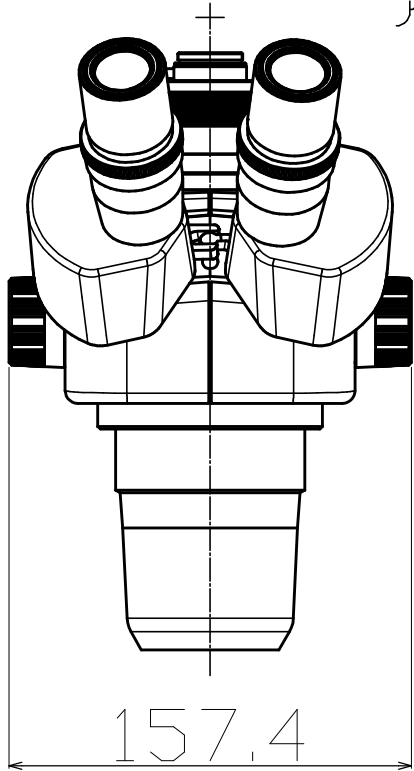


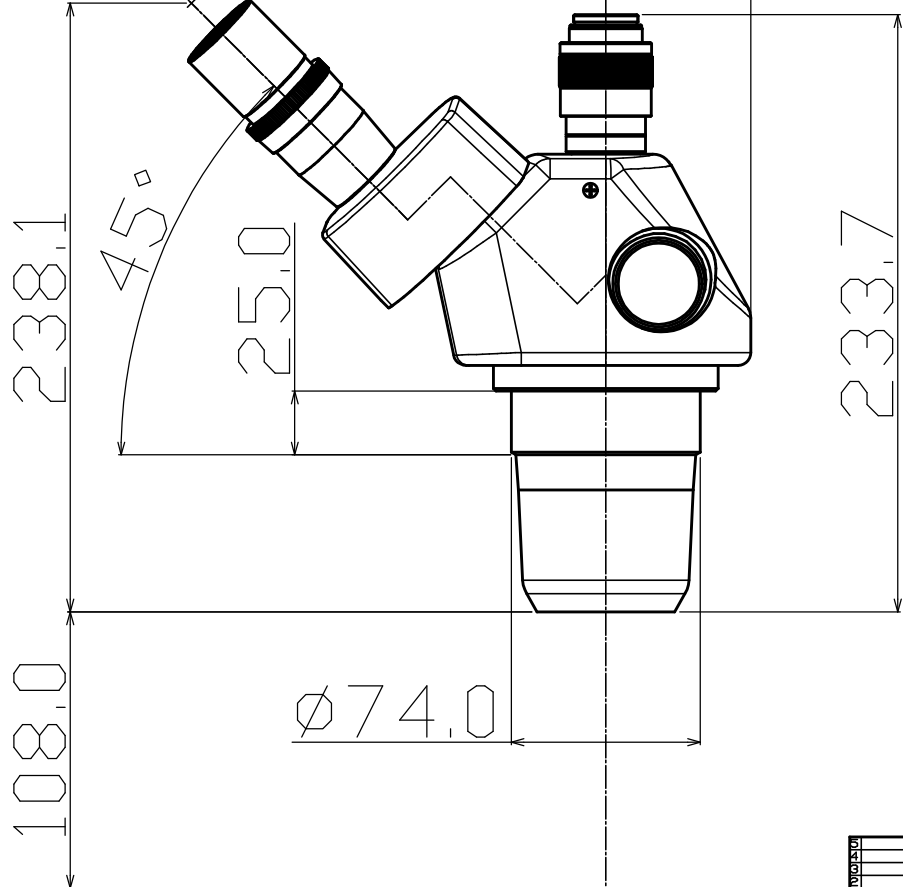
218.8

162.1

DHW10×  
アイポイント



157.4



238.1

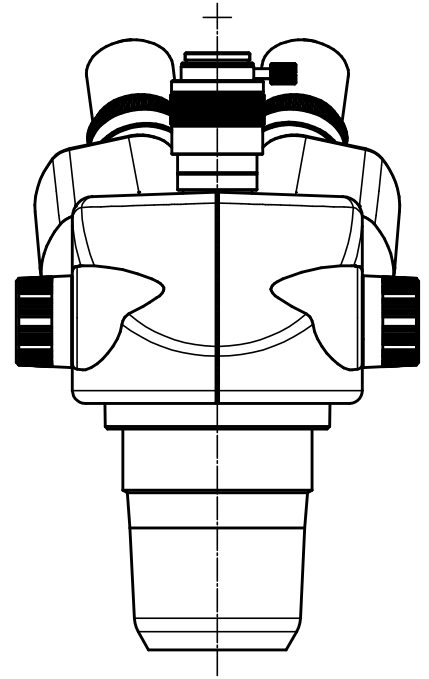
45°

255.0

233.7

108.0

Ø74.0



DATE	11.2.27	PART	BPZY-50
FILE	UNIT	OUTLINE DRAWING	
SCALE	1/1	PART No.	
DESIGN		REV	M0718A11H001A