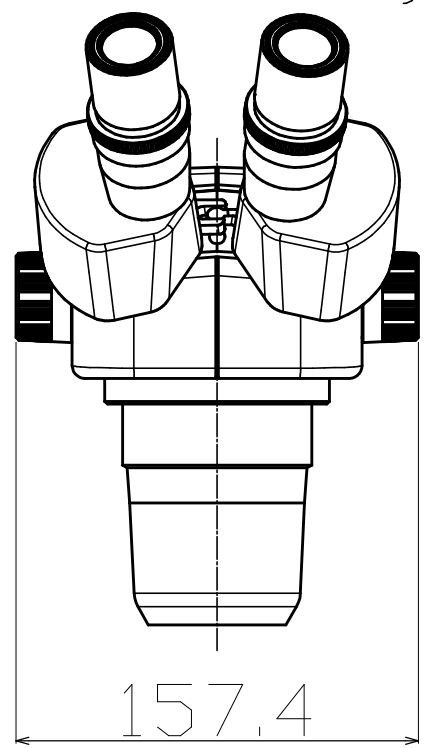


218.8

DHW10×  
アイポイント

162.1



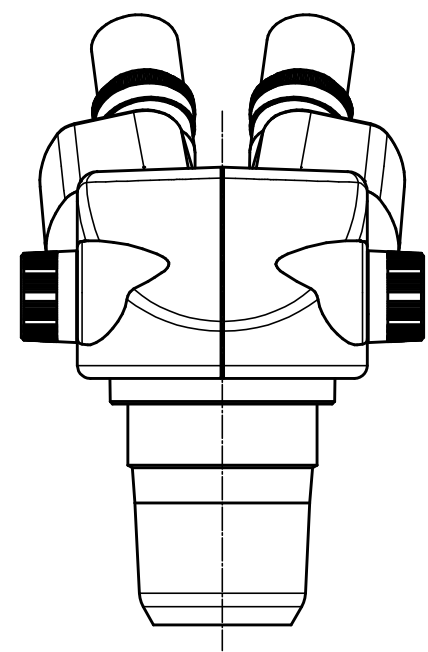
157.4

238.1

45°

25.0

179.1



108.0

∅74.0

5	MATERIAL		DATE	29.4.06	PART	
4	MATERIAL SIZE		FILE		UNIT	BPZ-50
3	FEEL TRCT		SCALE	1/1	OUTLINE DRAWING	
2	FRESH MARK		DESIGN		REVISION	PART No.
1	SURFACE TRCT		DRW	K. V	NO.	M0718A00A109