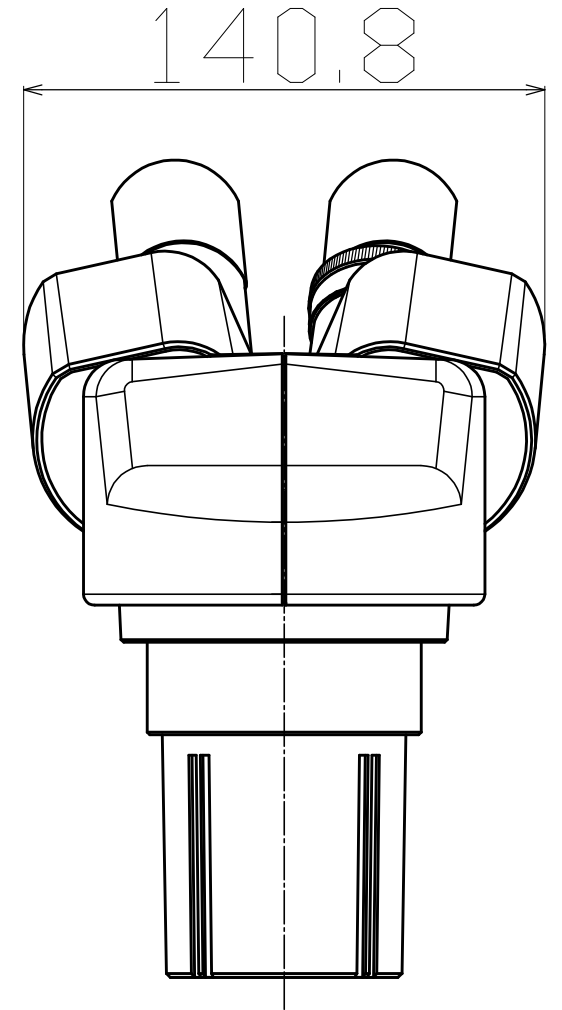
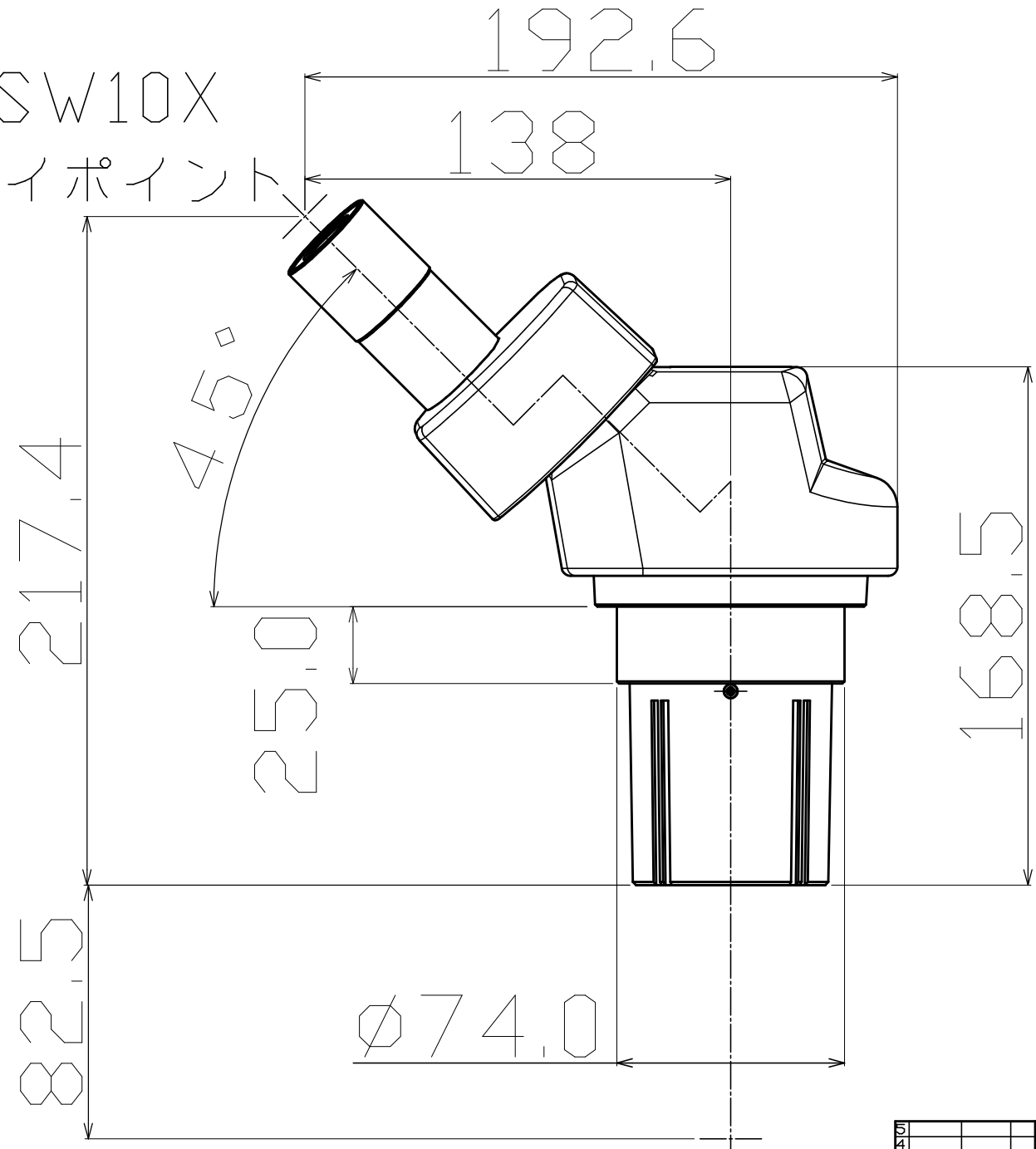


DSW10X
 アイポイント



No.	DATE	ALTERATION SIGN	MATERIAL		DATE	23.4.06	PART	NSW-30
			MATERIAL SIZE		PIECE	/UNIT		DIMENSIONS DRAWING
			HEAT TREAT		SCALE			PART No.
			FINISH MARK		DESIGN			M0713A00A502
			SURFACE TREAT		DRW	K. W		