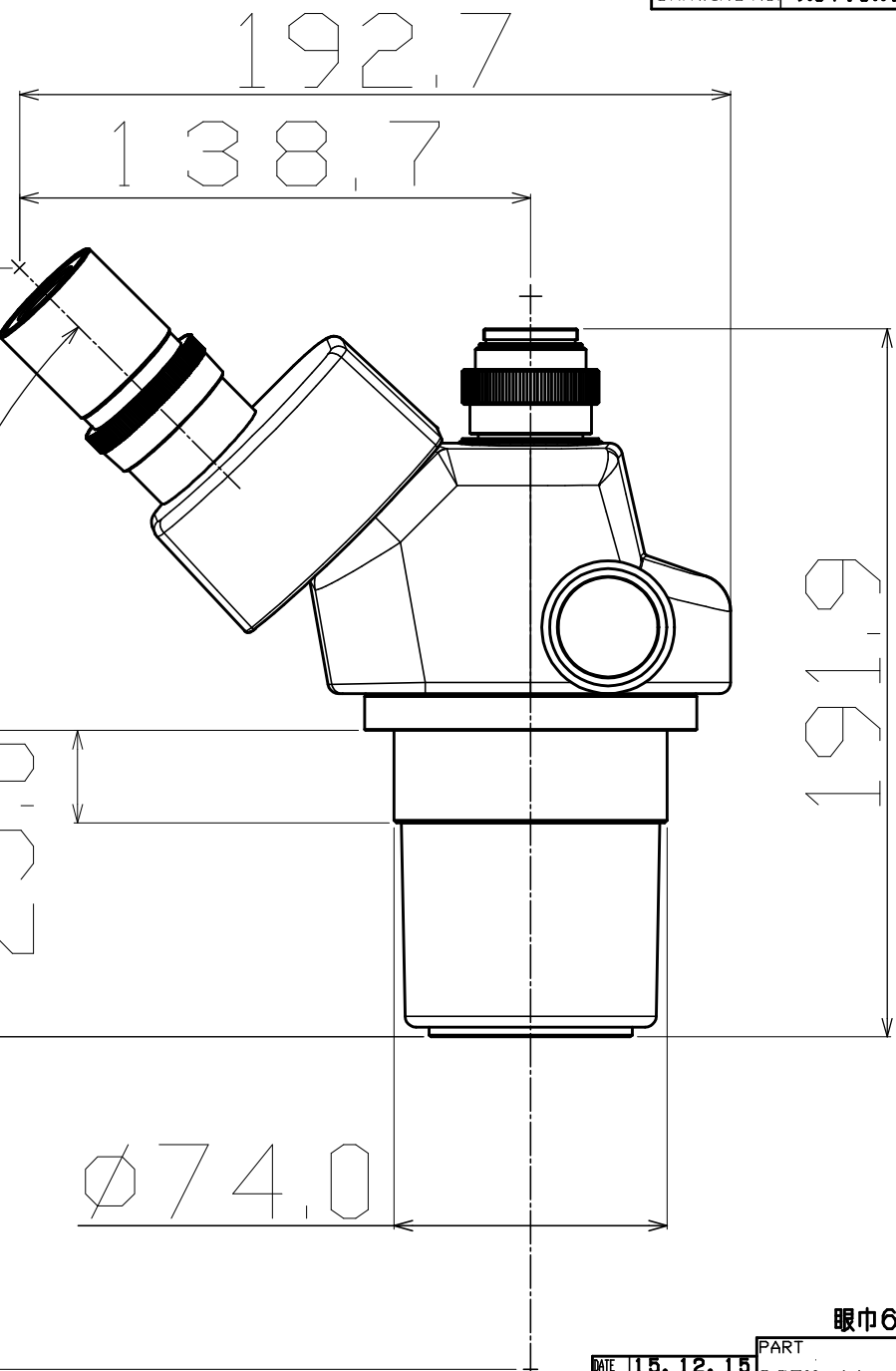


DSW10X
アイポイント



90.0

∅74.0

眼中65mm

DATE	15.12.15	PART	DSZV-44
PIECE	1/UNIT	OUTLINE DRAWING	
SCALE	1/1	THE THROUGH PART No.	
DESIGN		DRAWING PART No.	
DRW	H. T	DIMENSIONS IN mm	M0710A11J001A